



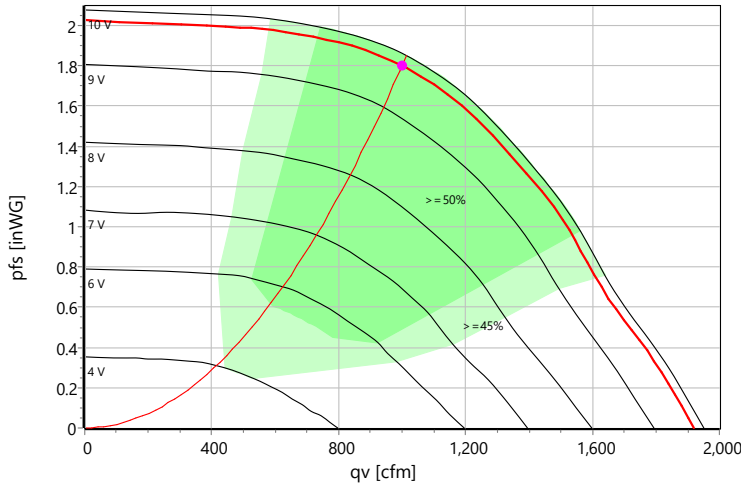
Type: **GKHR 315-CIB.100.4EA IE**

Motorized impeller

Part no.: N86-31819



**Curve:**



p: 1.2 kg/m<sup>3</sup>; Data @ 120 V

**Operating Point:**

q <sub>v</sub>	1000	cfm
p <sub>fs</sub>	1.8	inWG
p <sub>fd</sub>	0.05	inWG
η <sub>ed,fs</sub>	56	%
η <sub>ed,tot</sub>	57	%
P <sub>ed</sub>	0.382	kW
I	3.4	A
n	1817	r/min
L <sub>WA A,OUT</sub>	73	dB(A)
U <sub>c</sub>	9.5	V
v	13.7	ft/s
SFP	810	Ws/m <sup>3</sup>
t <sub>R,OP</sub>	41	°C

**Fan Energy Index:**

gemäß AMCA 208-18	
FEI	1.92

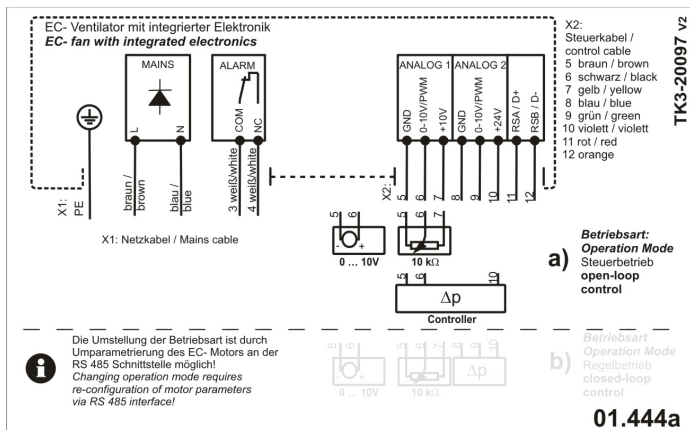
**Nominal Data:**

U [V]	f [Hz]	Data @ [V]	P <sub>ed</sub> [kW]	I <sub>N</sub> [A]	n <sub>N</sub> [r/min]	t <sub>R</sub> [°C]	k <sub>10</sub> [m <sup>2</sup> /h]	Eff.-Rating	IP	m [kg]
1~100-130	50/60	120	0.39	3.45	1840	-25 .. +40	75	IE4	IP 54	5.8
		110	0.38	3.7	1815					

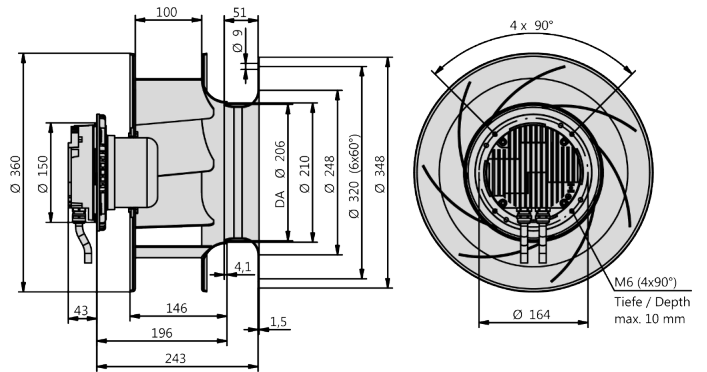
**Sound Data:**

Frequency	Σ	63Hz	125Hz	250Hz	500Hz	1kHz	2kHz	4kHz	8kHz	Distances	1 m	4 m
L <sub>w</sub> (A,in) [dB(A)]	66	30	47	57	58	59	61	58	49	L <sub>p</sub> (A,in) [dB(A)]	59	48
L <sub>w</sub> (A,out) [dB(A)]	73	38	58	63	65	68	67	63	54	L <sub>p</sub> (A,out) [dB(A)]	66	55

**Wiring Diagram:**



**drawing:**

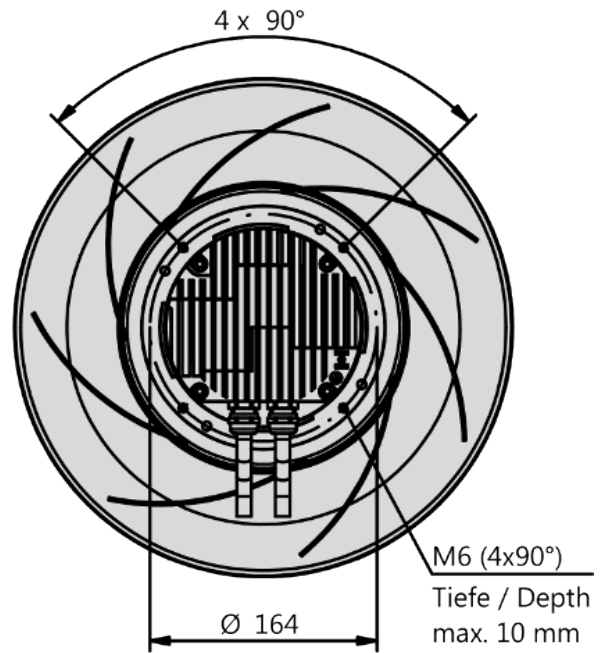
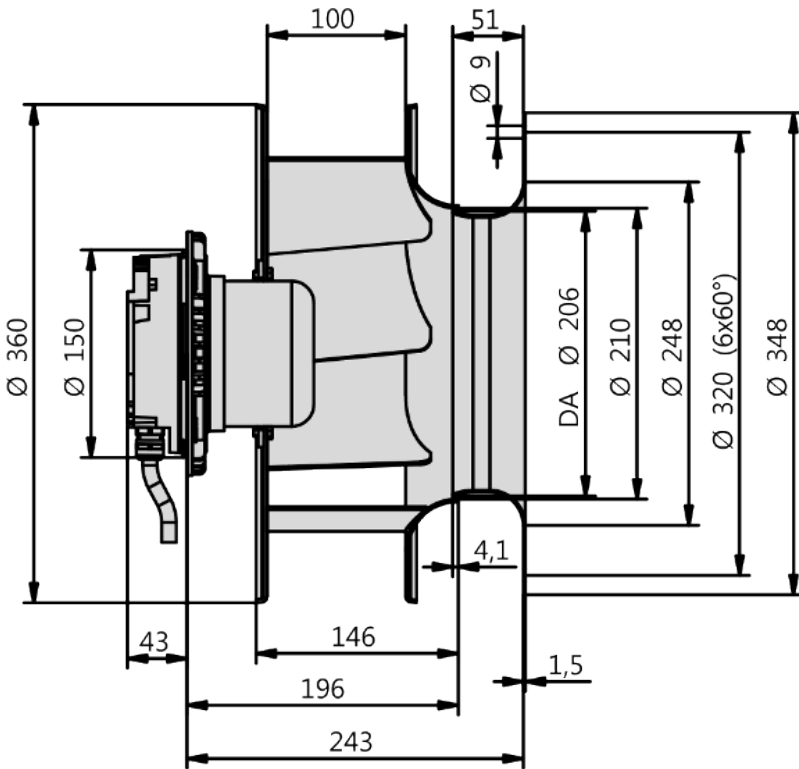




Type: **GKHR 315-CIB.100.4EA IE**

Motorized impeller

Part no.: N86-31819

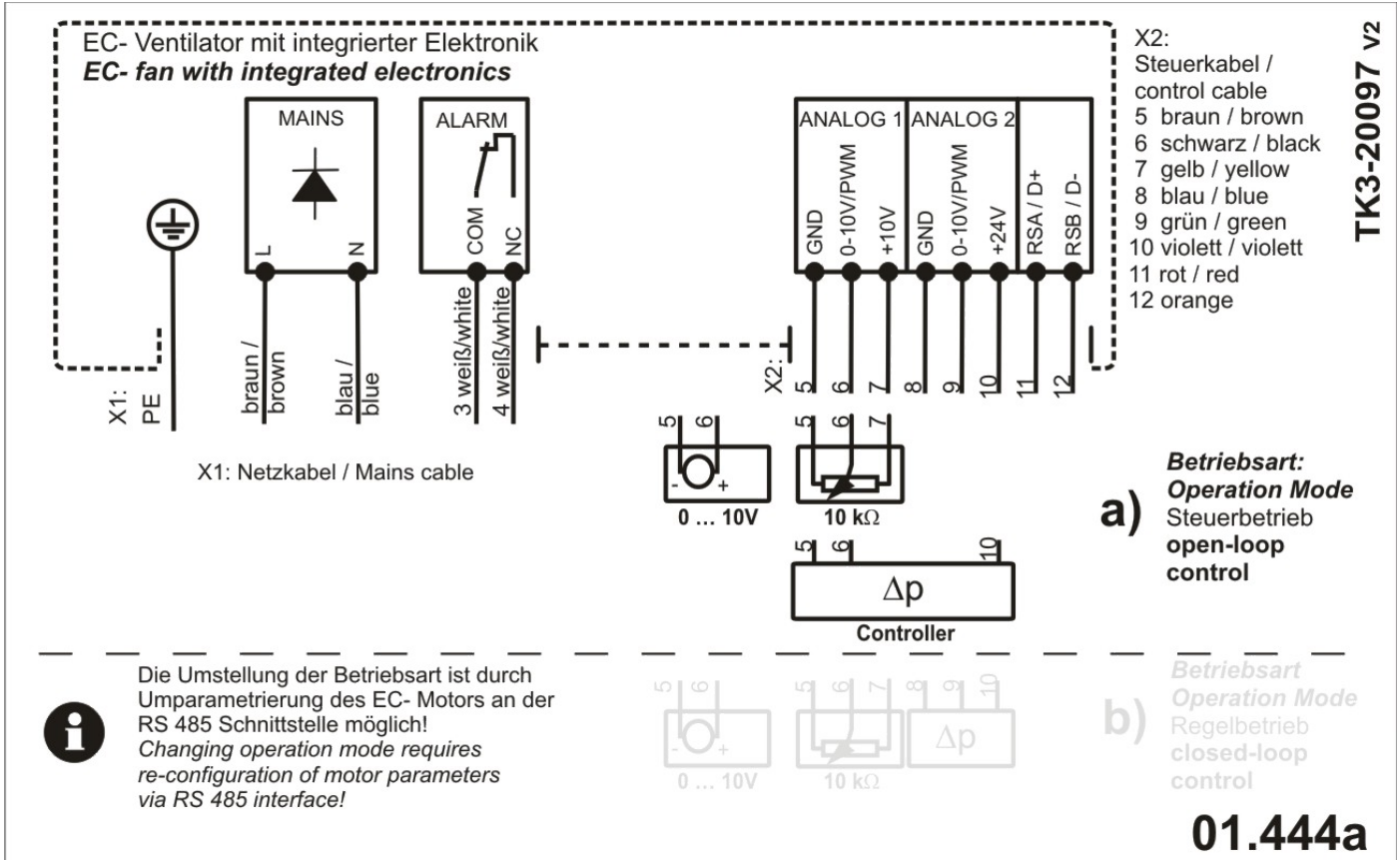




Type: **GKHR 315-CIB.100.4EA IE**

Motorized impeller

Part no.: N86-31819

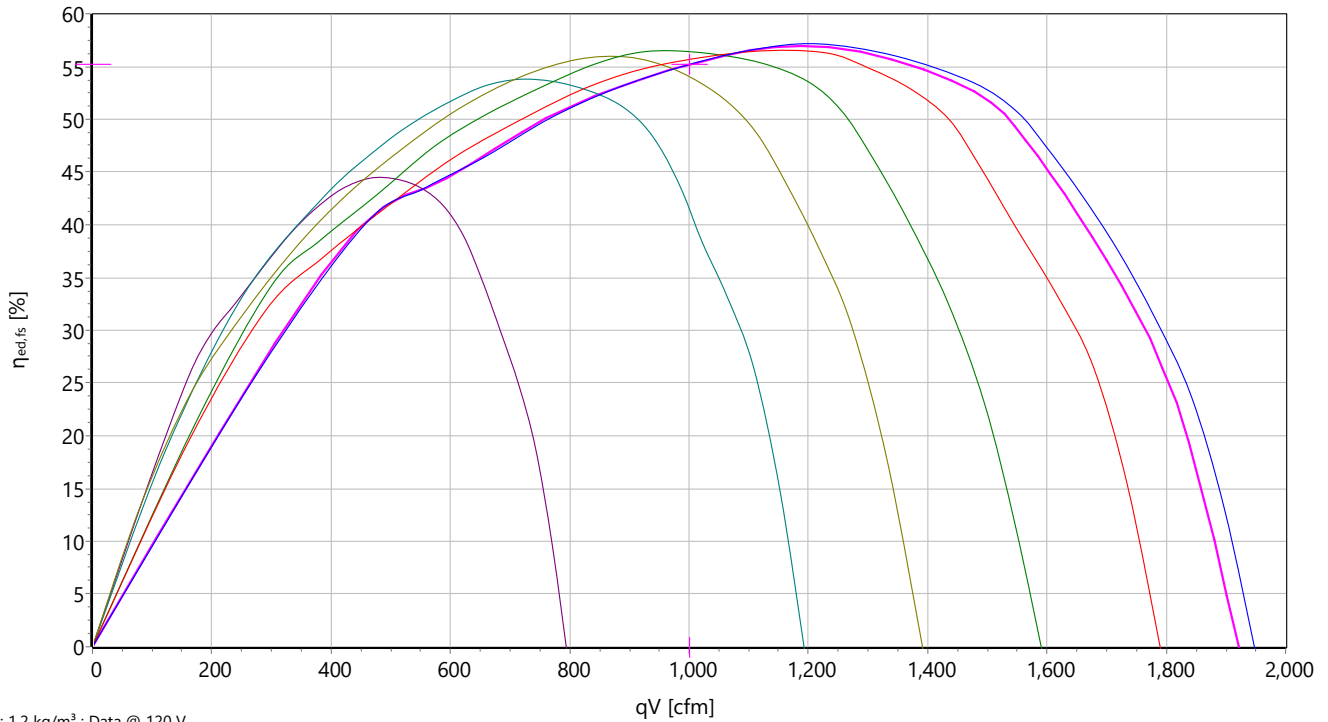




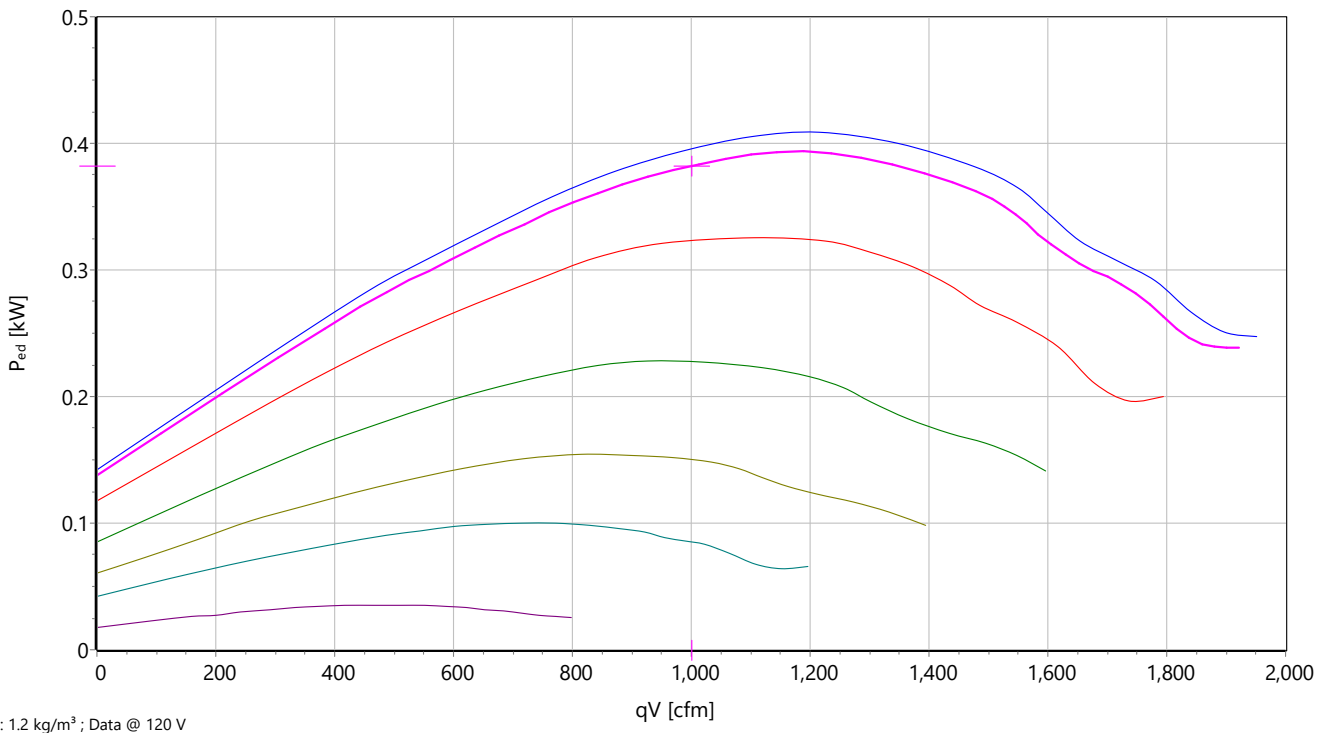
Type: **GKHR 315-CIB.100.4EA IE**  
 Motorized impeller  
 Part no.: N86-31819



stat. Efficiency



Input power

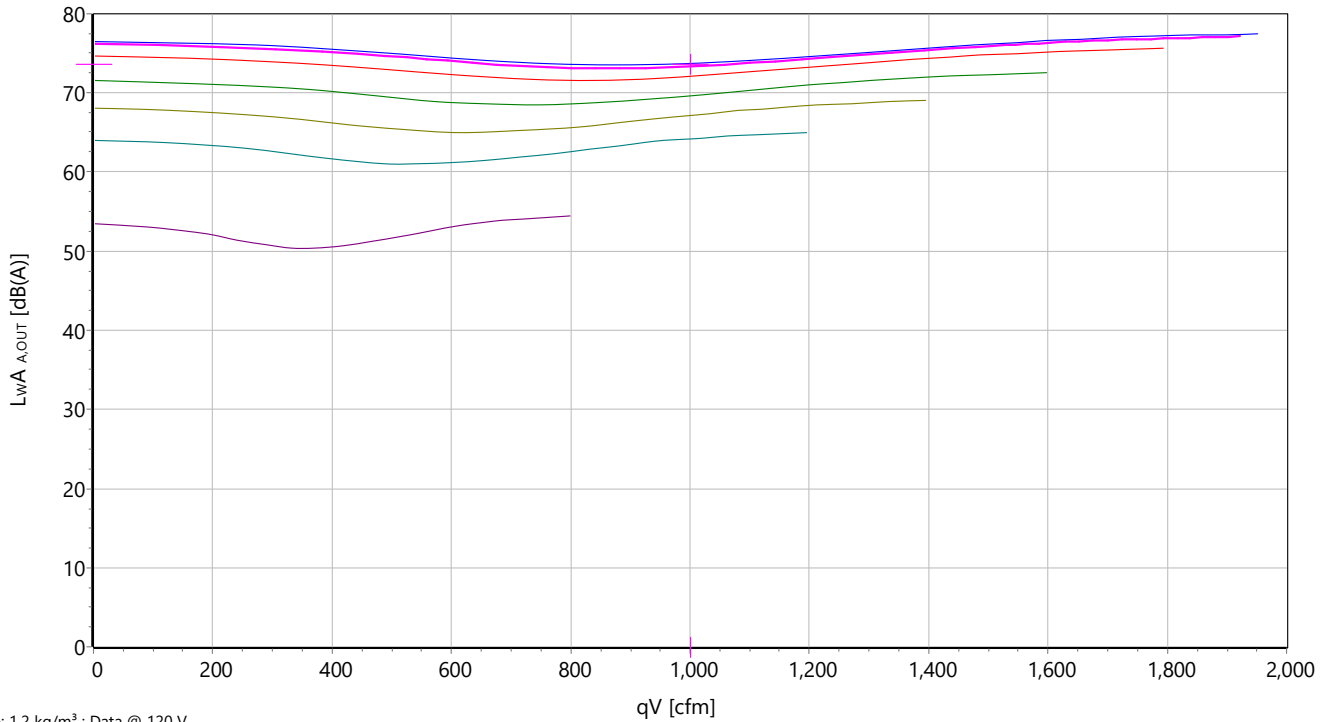




Type: **GKHR 315-CIB.100.4EA IE**  
 Motorized impeller  
 Part no.: N86-31819



Sound power





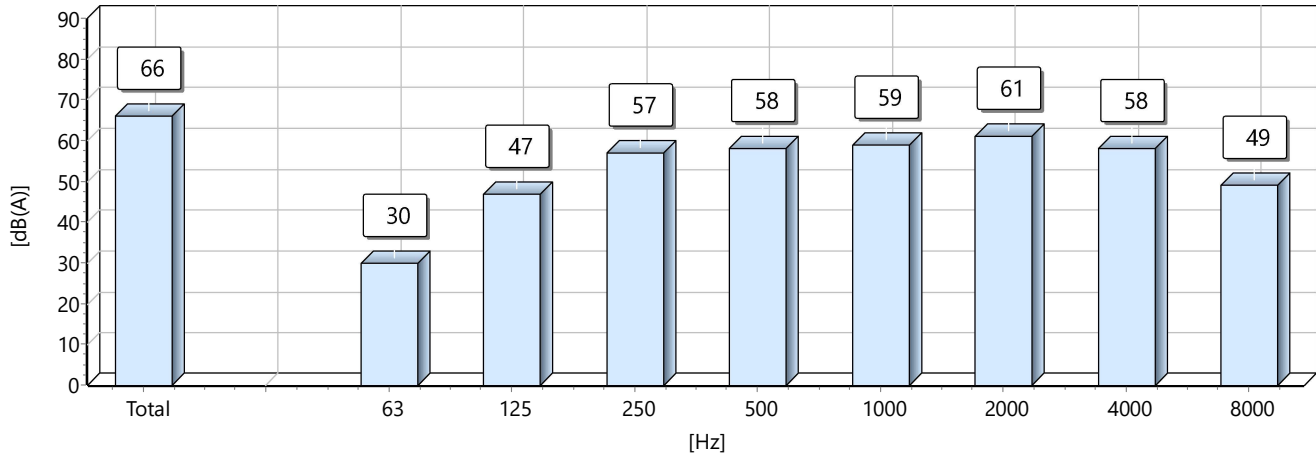
Type: **GKHR 315-CIB.100.4EA IE**

Motorized impeller

Part no.: N86-31819



**LwA(in)**



**LwA(out)**

